
PART NUMBER**LM7709AH883-ROCS**

**Rochester Electronics
Manufactured Components**

Rochester branded components are manufactured using either die/wafers purchased from the original suppliers or Rochester wafers recreated from the original IP. All re-creations are done with the approval of the Original Component Manufacturer. (OCM)

Parts are tested using original factory test programs or Rochester developed test solutions to guarantee product meets or exceeds the OCM data sheet.

Quality Overview

- ISO-9001
- AS9120 certification
- Qualified Manufacturers List (QML) MIL-PRF-38535
 - Class Q Military
 - Class V Space Level

Qualified Suppliers List of Distributors (QSLD)

- Rochester is a critical supplier to DLA and meets all industry and DLA standards.

Rochester Electronics, LLC is committed to supplying products that satisfy customer expectations for quality and are equal to those originally supplied by industry manufacturers.

The original manufacturer's datasheet accompanying this document reflects the performance and specifications of the Rochester manufactured version of this device. Rochester Electronics guarantees the performance of its semiconductor products to the original OCM specifications. 'Typical' values are for reference purposes only. Certain minimum or maximum ratings may be based on product characterization, design, simulation, or sample testing.

LM709

LM709 Operational Amplifier



Literature Number: SNOS659A

LM709 Operational Amplifier

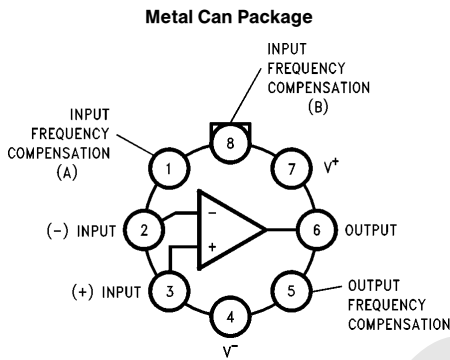
General Description

The LM709 series is a monolithic operational amplifier intended for general-purpose applications. Operation is completely specified over the range of voltages commonly used for these devices. The design, in addition to providing high gain, minimizes both offset voltage and bias currents. Further, the class-B output stage gives a large output capability with minimum power drain.

External components are used to frequency compensate the amplifier. Although the unity-gain compensation network specified will make the amplifier unconditionally stable in all feedback configurations, compensation can be tailored to optimize high-frequency performance for any gain setting.

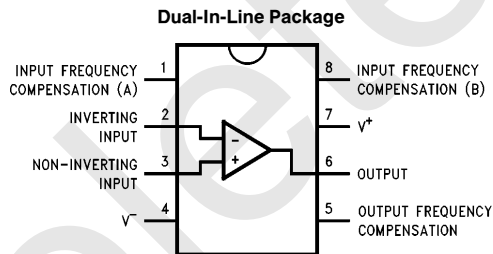
The LM709C is the commercial-industrial version of the LM709. It is identical to the LM709 except that it is specified for operation from 0°C to +70°C.

Connection Diagrams



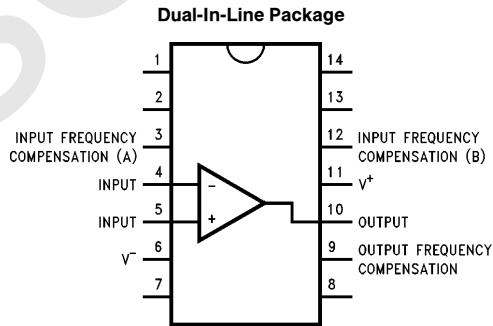
TL/H/11477-4

Order Number LM709AH, LM709H or LM709CH
 See NS Package Number H08C



TL/H/11477-6

Order Number LM709CN-8
 See NS Package Number N08E



TL/H/11477-5

Order Number LM709CN
 See NS Package Number N14A

Absolute Maximum Ratings (Note 3)

If Military/Aerospace specified devices are required, please contact the National Semiconductor Sales Office/Distributors for availability and specifications.

Supply Voltage LM709/LM709A/LM709C	±18V
Power Dissipation (Note 1) LM709/LM709A LM709C	300 mW 250 mW
Differential Input Voltage LM709/LM709A/LM709C	±5V
Input Voltage LM709/LM709A/LM709C	±10V
Output Short-Circuit Duration ($T_A = +25^\circ\text{C}$) LM709/LM709A/LM709C	5 seconds

Storage Temperature Range LM709/LM709A/LM709C	-65°C to +150°C
Lead Temperature (Soldering, 10 sec.) LM709/LM709A/LM709C	300°C

Operating Ratings (Note 3)

Junction Temperature Range (Note 1) LM709/LM709A LM709C	-55°C to +150°C 0°C to +100°C
Thermal Resistance (θ_{JA}) H Package 8-Pin N Package 14-Pin N Package	150°C/W, (θ_{JC}) 45°C/W 134°C/W 109°C/W

Electrical Characteristics (Note 2)

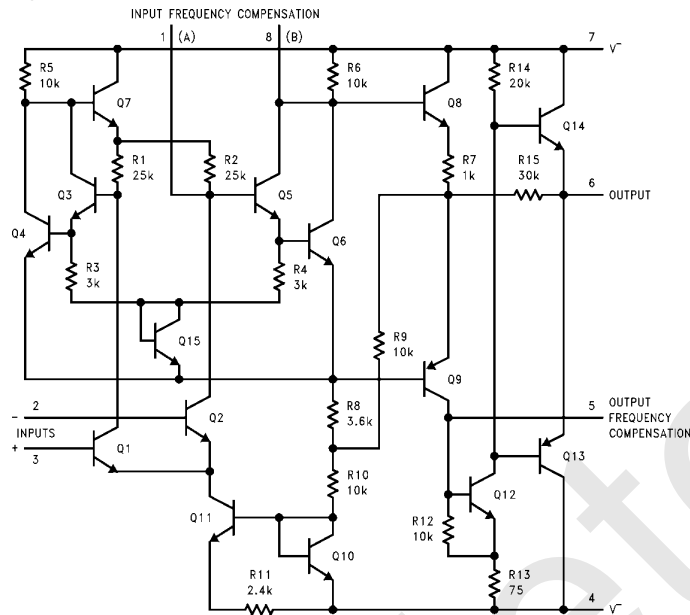
Parameter	Conditions	LM709A			LM709			LM709C			Units
		Min	Typ	Max	Min	Typ	Max	Min	Typ	Max	
Input Offset Voltage	$T_A = 25^\circ\text{C}$, $R_S \leq 10\text{ k}\Omega$	0.6	2.0		1.0	5.0		2.0	7.5		mV
Input Bias Current	$T_A = 25^\circ\text{C}$	100	200		200	500		300	1500		nA
Input Offset Current	$T_A = 25^\circ\text{C}$	10	50		50	200		100	500		nA
Input Resistance	$T_A = 25^\circ\text{C}$	350	700		150	400		50	250		k Ω
Output Resistance	$T_A = 25^\circ\text{C}$	150			150			150			Ω
Supply Current	$T_A = 25^\circ\text{C}$, $V_S = \pm 15\text{V}$	2.5	3.6		2.6	5.5		2.6	6.6		mA
Transient Response	$V_{IN} = 20\text{ mV}$, $C_L \leq 100\text{ pF}$										
Risetime	$T_A = 25^\circ\text{C}$		1.5		0.3	1.0		0.3	1.0		μs
Overshoot			30		10	30		10	30		%
Slew Rate	$T_A = 25^\circ\text{C}$	0.25			0.25			0.25			V/ μs
Input Offset Voltage	$R_S \leq 10\text{ k}\Omega$		3.0			6.0			10		mV
Average Temperature Coefficient of Input Offset Voltage	$R_S = 50\Omega$ $T_A = 25^\circ\text{C}$ to T_{MAX} $T_A = 25^\circ\text{C}$ to T_{MIN}		1.8	10		3.0			6.0		$\mu\text{V}/^\circ\text{C}$
	$R_S = 10\text{ k}\Omega$ $T_A = 25^\circ\text{C}$ to T_{MAX} $T_A = 25^\circ\text{C}$ to T_{MIN}		1.8	10		6.0			12		
Large Signal Voltage Gain	$V_S = \pm 15\text{V}$, $R_L \geq 2\text{ k}\Omega$ $V_{OUT} = \pm 10\text{V}$	25		70	25	45	70	15	45		V/mV
Output Voltage Swing	$V_S = \pm 15\text{V}$, $R_L = 10\text{ k}\Omega$ $V_S = \pm 15\text{V}$, $R_L = 2\text{ k}\Omega$	±12	±14		±12	±14		±12	±14		V
		±10	±13		±10	±13		±10	±13		
Input Voltage Range	$V_S = \pm 15\text{V}$	±8			±8	±10		±8	±10		V
Common-Mode Rejection Ratio	$R_S \leq 10\text{ k}\Omega$	80	110		70	90		65	90		dB
Supply Voltage Rejection Ratio	$R_S \leq 10\text{ k}\Omega$	40	100		25	150		25	200		$\mu\text{V}/\text{V}$
Input Offset Current	$T_A = T_{MAX}$ $T_A = T_{MIN}$	3.5	50		20	200		75	400		nA
		40	250		100	500		125	750		
Input Bias Current	$T_A = T_{MIN}$	0.3	0.6		0.5	1.5		0.36	2.0		μA
Input Resistance	$T_A = T_{MIN}$	85	170		40	100		50	250		k Ω

Note 1: For operating at elevated temperatures, the device must be derated based on a 150°C maximum junction temperature for LM709/LM709A and 100°C maximum for L709C. For operating at elevated temperatures, the device must be derated based on thermal resistance θ_{JA} , $T_{J(MAX)}$ and T_A .

Note 2: These specifications apply for $-55^\circ\text{C} \leq T_A \leq +125^\circ\text{C}$ for the LM709/LM709A and $0^\circ\text{C} \leq T_A \leq +70^\circ\text{C}$ for the LM709C with the following conditions: $\pm 9\text{V} \leq V_S \leq \pm 15\text{V}$, $C_1 = 5000\text{ pF}$, $R_1 = 1.5\text{ k}\Omega$, $C_2 = 200\text{ pF}$ and $R_2 = 51\Omega$.

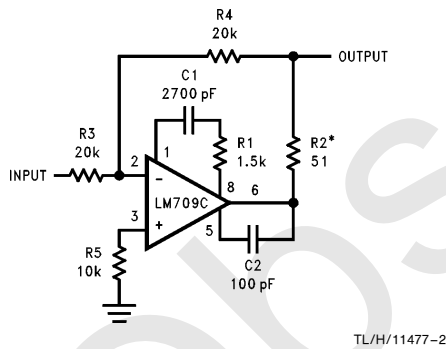
Note 3: Absolute Maximum Ratings indicate limits which if exceeded may result in damage. Operating Ratings are conditions where the device is expected to be functional but not necessarily within the guaranteed performance limits. For guaranteed specifications and test conditions, see the Electrical Characteristics.

Schematic Diagram**

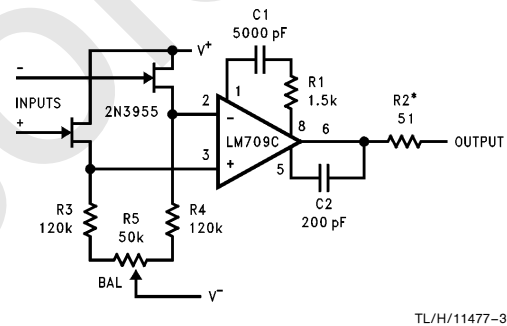


Typical Applications**

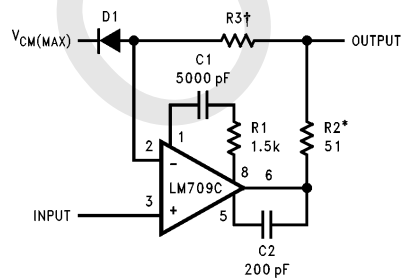
Unity Gain Inverting Amplifier



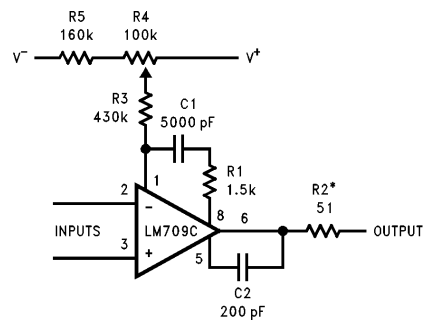
FET Operational Amplifier



Voltage Follower

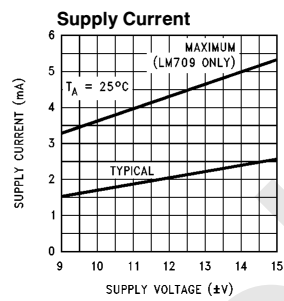
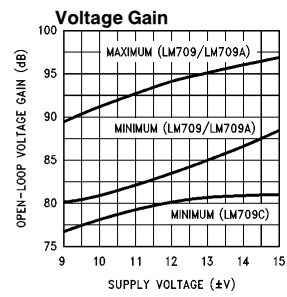
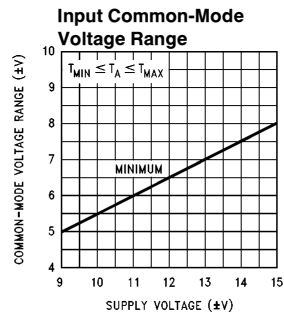
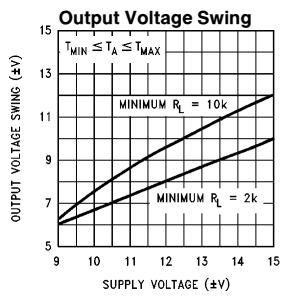


Offset Balancing Circuit



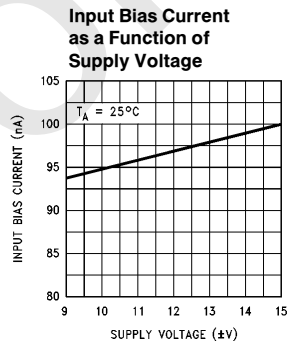
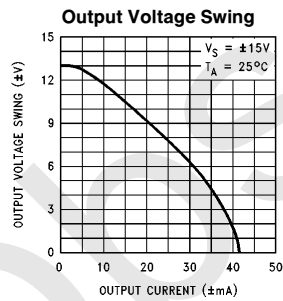
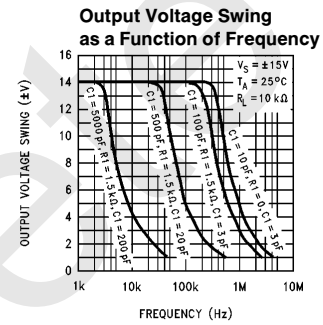
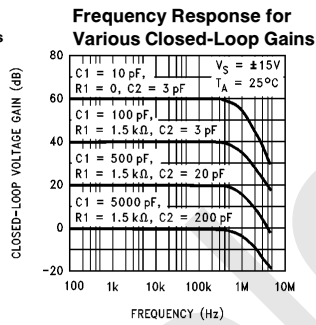
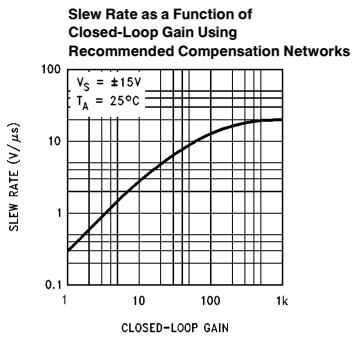
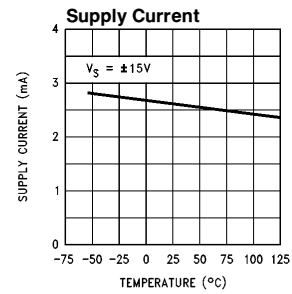
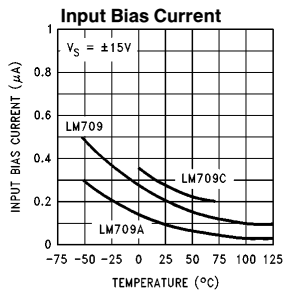
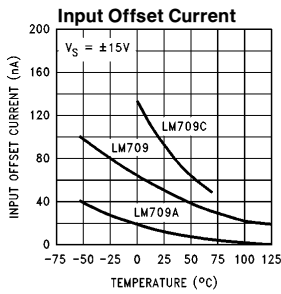
*To be used with any capacitive loading on output.
 **Pin connections shown are for metal can package.
 †Should be equal to DC source resistance on input.

Guaranteed Performance Characteristics



TL/H/11477-9

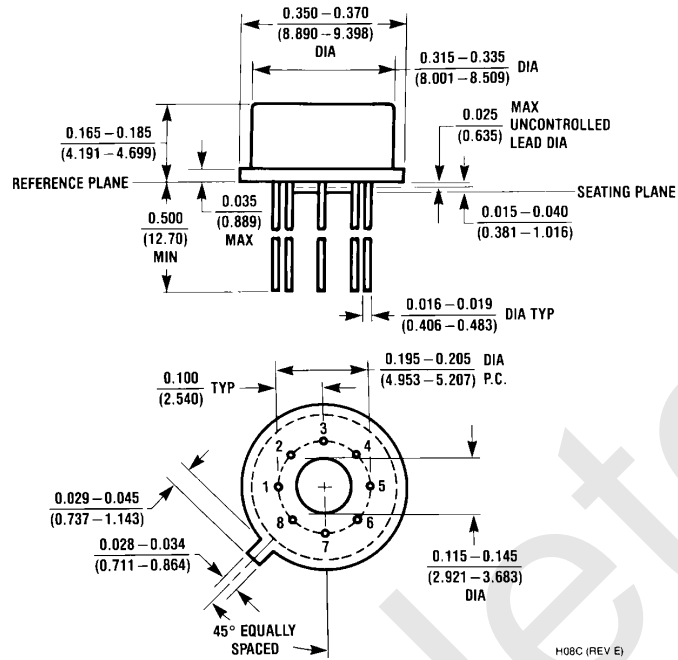
Typical Performance Characteristics



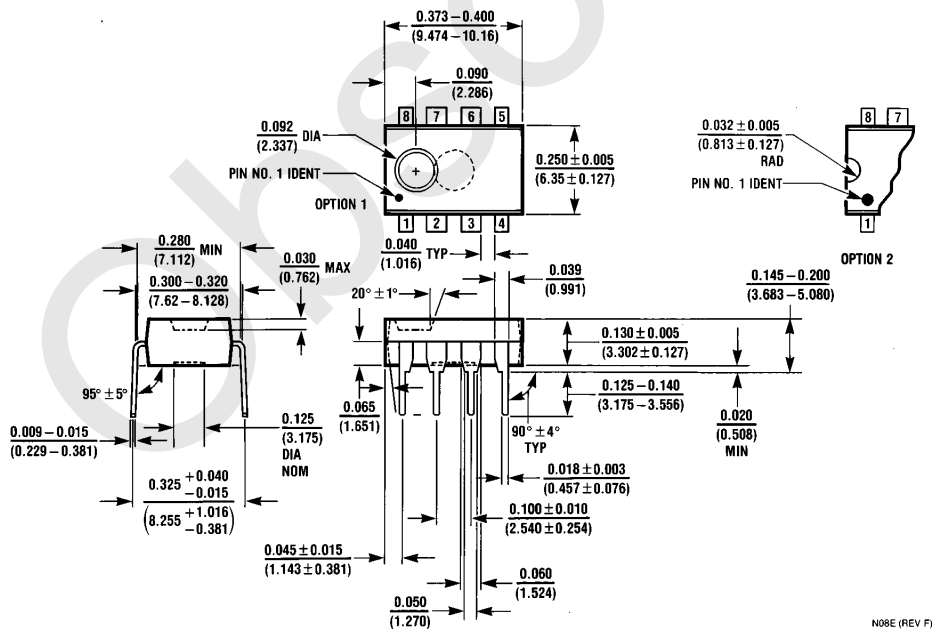
TL/H/11477-10

Obsolete

Physical Dimensions inches (millimeters)

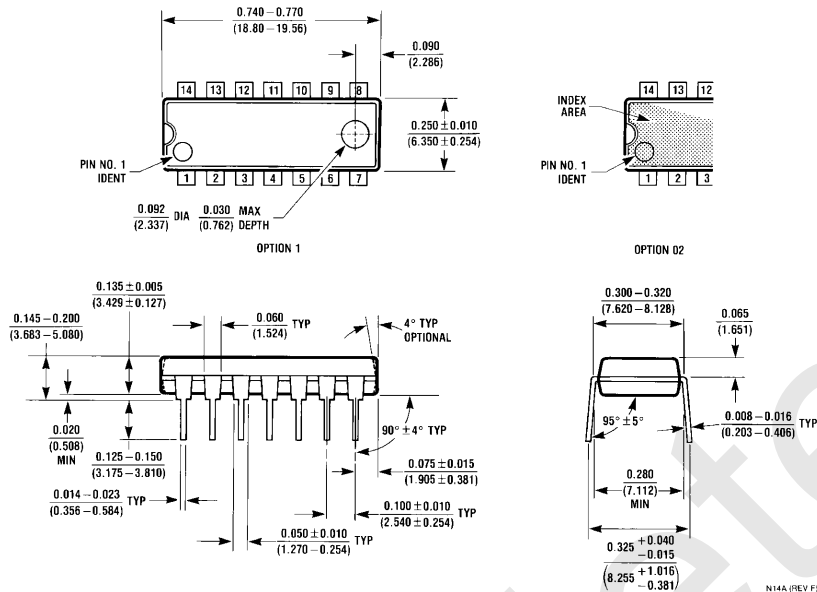


Metal Can Package (H)
 Order Number LM709AH, LM709H or LM709CH
 NS Package Number H08C



8-Lead Molded Dual-In-Line Package (N)
 Order Number LM709CN-8
 NS Package Number N08E

Physical Dimensions inches (millimeters) (Continued)



14-Lead Molded Dual-In-Line Package (N)
Order Number LM709CN
NS Package Number N14A

LIFE SUPPORT POLICY

NATIONAL'S PRODUCTS ARE NOT AUTHORIZED FOR USE AS CRITICAL COMPONENTS IN LIFE SUPPORT DEVICES OR SYSTEMS WITHOUT THE EXPRESS WRITTEN APPROVAL OF THE PRESIDENT OF NATIONAL SEMICONDUCTOR CORPORATION. As used herein:

1. Life support devices or systems are devices or systems which, (a) are intended for surgical implant into the body, or (b) support or sustain life, and whose failure to perform, when properly used in accordance with instructions for use provided in the labeling, can be reasonably expected to result in a significant injury to the user.
2. A critical component is any component of a life support device or system whose failure to perform can be reasonably expected to cause the failure of the life support device or system, or to affect its safety or effectiveness.



National Semiconductor Corporation
 1111 West Bardin Road
 Arlington, TX 76017
 Tel: 1(800) 272-9959
 Fax: 1(800) 737-7018

National Semiconductor Europe
 Fax: (+49) 0-180-530 85 86
 Email: cnjwge@tevm2.nsc.com
 Deutsch Tel: (+49) 0-180-530 85 85
 English Tel: (+49) 0-180-532 78 32
 Français Tel: (+49) 0-180-532 93 58
 Italiano Tel: (+49) 0-180-534 16 80

National Semiconductor Hong Kong Ltd.
 19th Floor, Straight Block,
 Ocean Centre, 5 Canton Rd.
 Tsimshatsui, Kowloon
 Hong Kong
 Tel: (852) 2737-1600
 Fax: (852) 2736-9960

National Semiconductor Japan Ltd.
 Tel: 81-043-299-2309
 Fax: 81-043-299-2408

National does not assume any responsibility for use of any circuitry described, no circuit patent licenses are implied and National reserves the right at any time without notice to change said circuitry and specifications.

IMPORTANT NOTICE

Texas Instruments Incorporated and its subsidiaries (TI) reserve the right to make corrections, modifications, enhancements, improvements, and other changes to its products and services at any time and to discontinue any product or service without notice. Customers should obtain the latest relevant information before placing orders and should verify that such information is current and complete. All products are sold subject to TI's terms and conditions of sale supplied at the time of order acknowledgment.

TI warrants performance of its hardware products to the specifications applicable at the time of sale in accordance with TI's standard warranty. Testing and other quality control techniques are used to the extent TI deems necessary to support this warranty. Except where mandated by government requirements, testing of all parameters of each product is not necessarily performed.

TI assumes no liability for applications assistance or customer product design. Customers are responsible for their products and applications using TI components. To minimize the risks associated with customer products and applications, customers should provide adequate design and operating safeguards.

TI does not warrant or represent that any license, either express or implied, is granted under any TI patent right, copyright, mask work right, or other TI intellectual property right relating to any combination, machine, or process in which TI products or services are used. Information published by TI regarding third-party products or services does not constitute a license from TI to use such products or services or a warranty or endorsement thereof. Use of such information may require a license from a third party under the patents or other intellectual property of the third party, or a license from TI under the patents or other intellectual property of TI.

Reproduction of TI information in TI data books or data sheets is permissible only if reproduction is without alteration and is accompanied by all associated warranties, conditions, limitations, and notices. Reproduction of this information with alteration is an unfair and deceptive business practice. TI is not responsible or liable for such altered documentation. Information of third parties may be subject to additional restrictions.

Resale of TI products or services with statements different from or beyond the parameters stated by TI for that product or service voids all express and any implied warranties for the associated TI product or service and is an unfair and deceptive business practice. TI is not responsible or liable for any such statements.

TI products are not authorized for use in safety-critical applications (such as life support) where a failure of the TI product would reasonably be expected to cause severe personal injury or death, unless officers of the parties have executed an agreement specifically governing such use. Buyers represent that they have all necessary expertise in the safety and regulatory ramifications of their applications, and acknowledge and agree that they are solely responsible for all legal, regulatory and safety-related requirements concerning their products and any use of TI products in such safety-critical applications, notwithstanding any applications-related information or support that may be provided by TI. Further, Buyers must fully indemnify TI and its representatives against any damages arising out of the use of TI products in such safety-critical applications.

TI products are neither designed nor intended for use in military/aerospace applications or environments unless the TI products are specifically designated by TI as military-grade or "enhanced plastic." Only products designated by TI as military-grade meet military specifications. Buyers acknowledge and agree that any such use of TI products which TI has not designated as military-grade is solely at the Buyer's risk, and that they are solely responsible for compliance with all legal and regulatory requirements in connection with such use.

TI products are neither designed nor intended for use in automotive applications or environments unless the specific TI products are designated by TI as compliant with ISO/TS 16949 requirements. Buyers acknowledge and agree that, if they use any non-designated products in automotive applications, TI will not be responsible for any failure to meet such requirements.

Following are URLs where you can obtain information on other Texas Instruments products and application solutions:

Products

Audio	www.ti.com/audio
Amplifiers	amplifier.ti.com
Data Converters	dataconverter.ti.com
DLP® Products	www.dlp.com
DSP	dsp.ti.com
Clocks and Timers	www.ti.com/clocks
Interface	interface.ti.com
Logic	logic.ti.com
Power Mgmt	power.ti.com
Microcontrollers	microcontroller.ti.com
RFID	www.ti-rfid.com
OMAP Mobile Processors	www.ti.com/omap
Wireless Connectivity	www.ti.com/wirelessconnectivity

Applications

Communications and Telecom	www.ti.com/communications
Computers and Peripherals	www.ti.com/computers
Consumer Electronics	www.ti.com/consumer-apps
Energy and Lighting	www.ti.com/energy
Industrial	www.ti.com/industrial
Medical	www.ti.com/medical
Security	www.ti.com/security
Space, Avionics and Defense	www.ti.com/space-avionics-defense
Transportation and Automotive	www.ti.com/automotive
Video and Imaging	www.ti.com/video

TI E2E Community Home Page

e2e.ti.com

Mailing Address: Texas Instruments, Post Office Box 655303, Dallas, Texas 75265
Copyright © 2011, Texas Instruments Incorporated