

4

3

2

1

THIS DRAWING IS UNPUBLISHED.

RELEASED FOR PUBLICATION

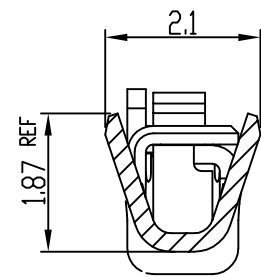
© COPYRIGHT BY TYCO ELECTRONICS CORPORATION, ALL RIGHTS RESERVED.

LOC DS

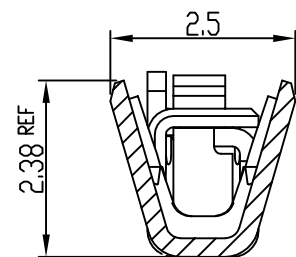
DIST -

REVISIONS

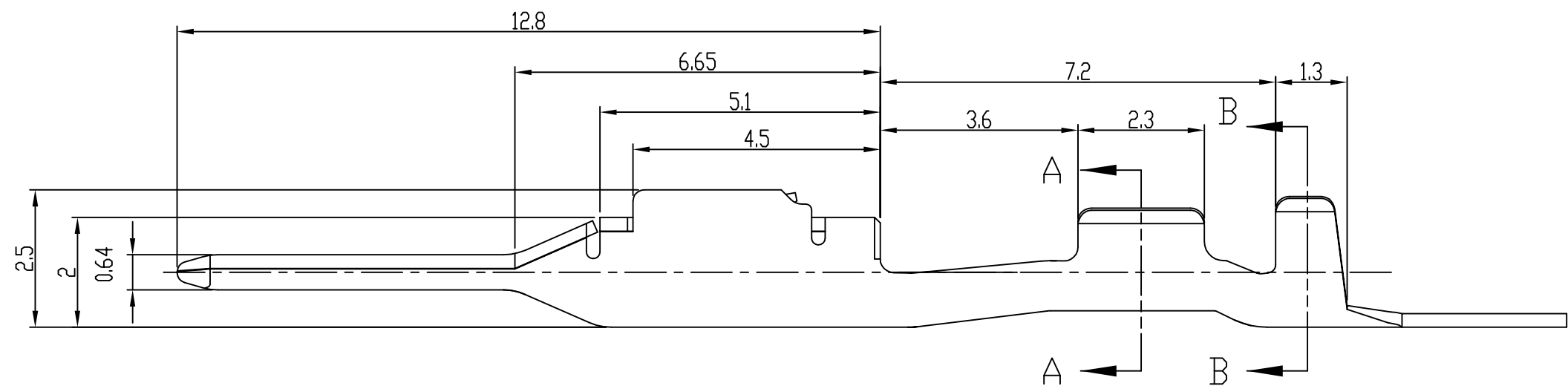
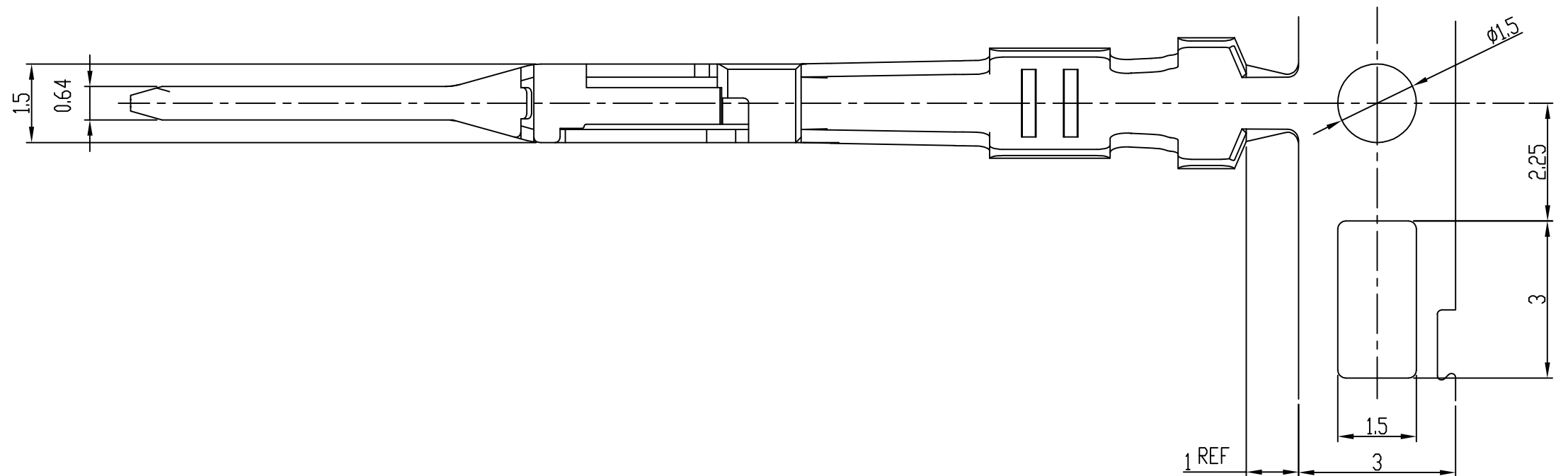
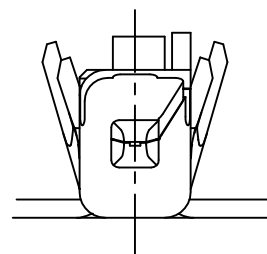
P	LTR	DESCRIPTION	DATE	DWN	APVD
	A1	REVISED (ECR-09-018695)	25.SEP.'09	KT	HG
	A2	REVISED (ECR-10-023563)	21.JUN.'11	KT	HG



A-A



B-B



NOTE

- 1. GENERAL TOLERANCE: ±0.3, ±3°
- 2. APPLICABLE WIRE RANGE;

Conductor		Insulation Diameter	
Nominal Size	Calculated Cross-Section Area (mm <sup>2</sup> )	Minimum (mm)	Maximum (mm)
0.3	0.37	1.1	1.5
0.5	0.56	1.3	1.7

- 3. APPLICATOR FEED: 7.5mm

② SELECTIVE GOLD	COPPER ALLOY	2005154-2
PRE-TIN	COPPER ALLOY	2005154-1
FINISH	MATERIAL	PART NUMBER

THIS DRAWING IS A CONTROLLED DOCUMENT FOR TYCO ELECTRONICS CORPORATION IT IS SUBJECT TO CHANGE AND THE CONTROLLING ENGINEERING ORGANIZATION SHOULD BE CONTACTED FOR THE LATEST REVISION.

DIMENSIONS: MM		TOLERANCES UNLESS OTHERWISE SPECIFIED:		DWN KT JUNG CHK KT LIM APVD HG CHD PRODUCT SPEC		NAME <b>TE Connectivity</b>			
				APPLICATION SPEC 114-61032		025 TH TAB CONTACT (S)			
				WEIGHT		SIZE	CAGE CODE	DRAWING NO	RESTRICTED TO
MATERIAL SEE TABLE		FINISH SEE TABLE		CUSTOMER DRAWING		A3	00779	C-2005154	-
SCALE 10/1						SHEET 1	OF 1	REV A2	