

SIGN	DATE	DESCRIPTION	APPROVER
△			

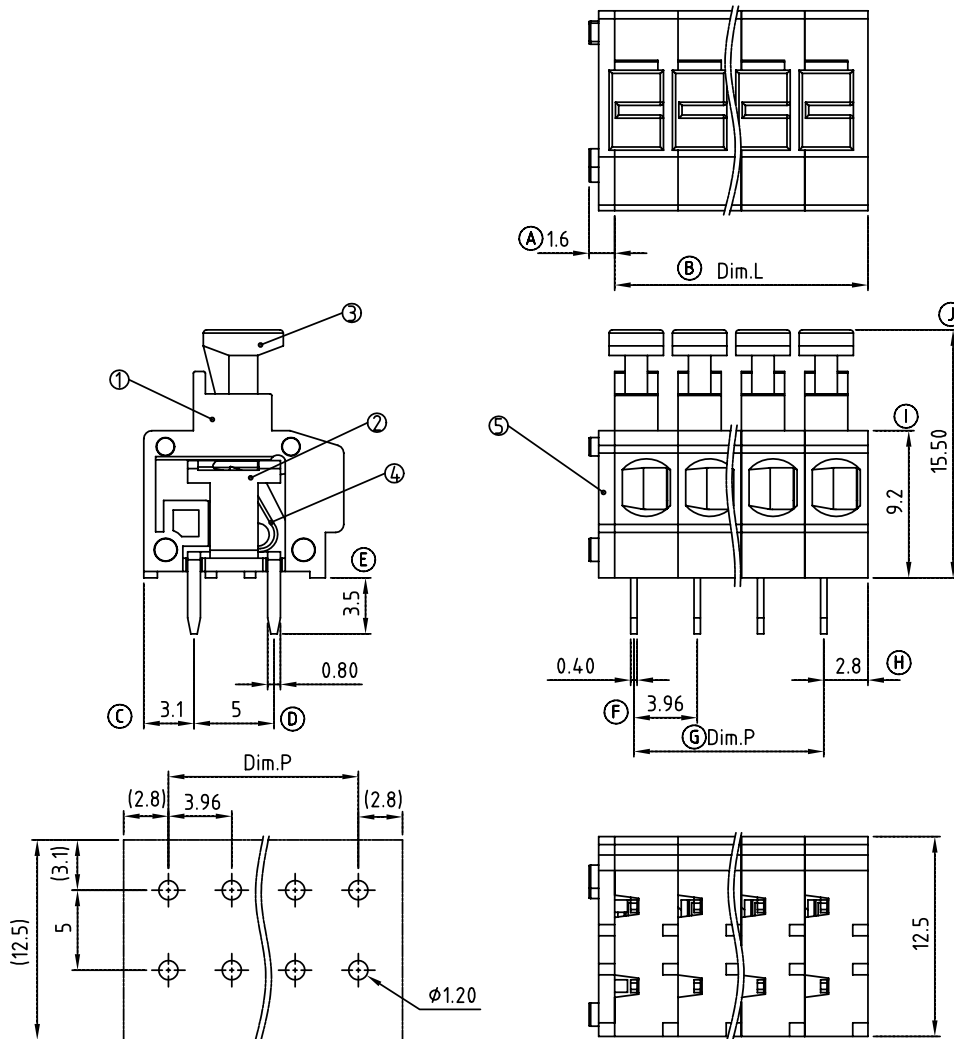
THIS IS CAD DRAWING, DO NOT REVISE MANUALLY!!!

Material:

- Item ① Insulating body: Thermoplastic ( UL94V-0 )
- Item ② contact pin: Brass Tin plated.
- Item ③ Insulating lever : Thermoplastic ( UL94V-0 )
- Item ④ Spring clamp : Stainless steel
- Item ⑤ Side Cover : Thermoplastic ( UL94V-0 )

Electrical:

- |                          |                   |
|--------------------------|-------------------|
|                          | cULus             |
| ● Voltage rating:        | 300V              |
| ● Current rating:        | 10A               |
| ● Wire range:            |                   |
| ● Solid wire(AWG):       | 16-20             |
| ● Stranded wire(AWG):    | 16-20             |
| ● Wire strip length:     | 9-10mm            |
| ● Withstanding Voltage:  | 1.6KV             |
| ● Operating temperature: | -40°C to +115°C   |
| ● Soldering temperature: | 250°C ±10°C/5 Sec |



P.C.B Layout

POLE		2	3	4	5	6	7	8	9	10	11	12	
Dim.L		7.92	11.88	15.84	19.80	23.76	27.72	31.68	35.64	39.60	43.56	47.52	
Dim.P		3.96	7.92	11.88	15.84	19.80	23.76	27.72	31.68	35.64	39.60	43.56	
Tol.		±0.15					±0.25						
POLE	13	14	15	16	17	18	19	20	21	22	23	24	
Dim.L	51.48	55.44	59.40	63.36	67.32	71.28	75.24	79.20	83.16	87.12	91.08	95.04	
Dim.P	47.52	51.48	55.44	59.40	63.36	67.32	71.28	75.24	79.20	83.16	87.12	91.08	
Tol.	±0.30					±0.40							

HB xx 41 x 0 xxxx G

- No. OF POLES  
 02: 2 POLES  
 :  
 24: 24 POLES  
 COLOR  
 0: Black  
 2: RED  
 3: ORANGE  
 5: GREEN (RAL6018/T)  
 8: GREY

G: Pb<40000ppm  
 0000 Standard @ Logo  
 000A Standard ANY Logo  
 Any special item by customer request, please contact sales department.

**ANYTEK**

**CUSTOMER COPY**

ALL RIGHTS RESERVED. REPRODUCTION OR ISSUE TO THIRD PARTIES IN ANY FORM WHATSOEVER IS NOT PERMITTED WITHOUT WRITTEN AUTHORITY FROM THE PROPRIETOR. PROPERTY OF ANYTEK TECHNOLOGY CO., LTD

TITLE	HB 3.96 mm With lever Series												
PART NO.	HBxx41x0xxxxG						DWG NO.	8HB0601					
APPROVED	CHECKED	DESIGNED	DRAWN	CUST NO.		Tolerance							
		Kind	Tony				UNIT: mm	X.	±0.50				
		2009.11.03	2008.12.16				SCALE: NONE	X.X	±0.30				
				SHEET: 01/01		REV.: B	X.XX	±0.10					
							X°	±1°					